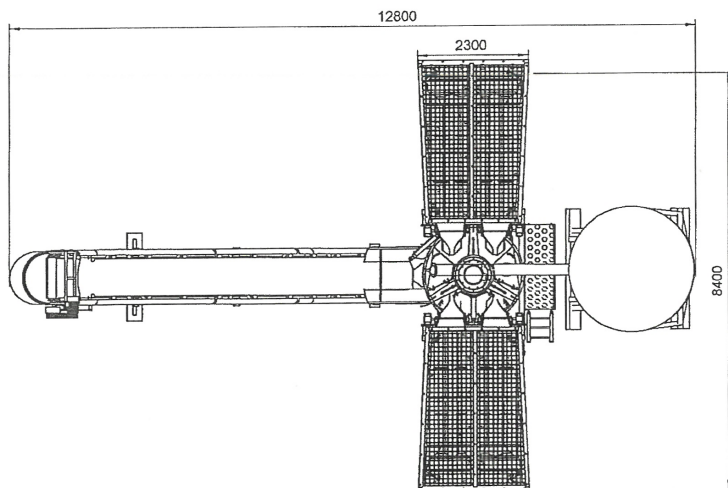
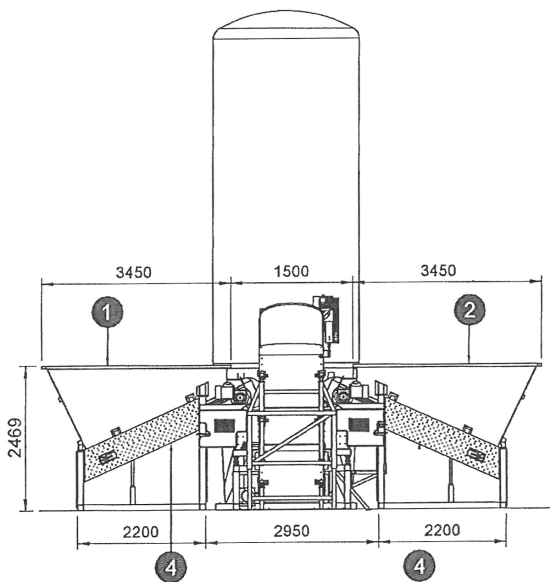
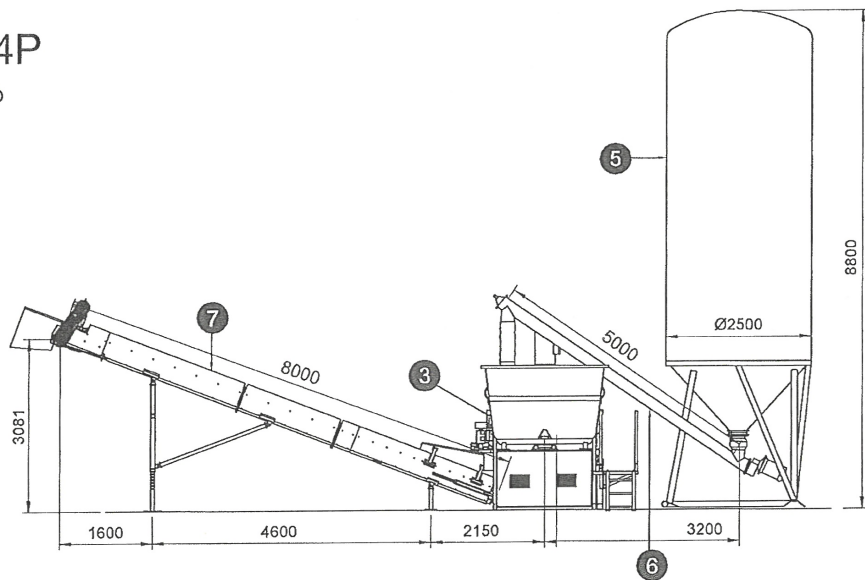


# MA 15-4P

MA 15-4P



## BESCHREIBUNG / DESCRIPTION

- ① Kiesvorrat  
Aggregate Silo
- ② Sandvorratssilo  
Sand Silo
- ③ Planetenmischer  
Planetary Mixer
- ④ Dosierförderband  
Charging Belt Conveyor for Silo
- ⑤ Zementsilo  
Cement Storage Silo
- ⑥ Zementschnecke  
Cement Screw Conveyor
- ⑦ Austragsband  
Discharge Conveyor 8 m