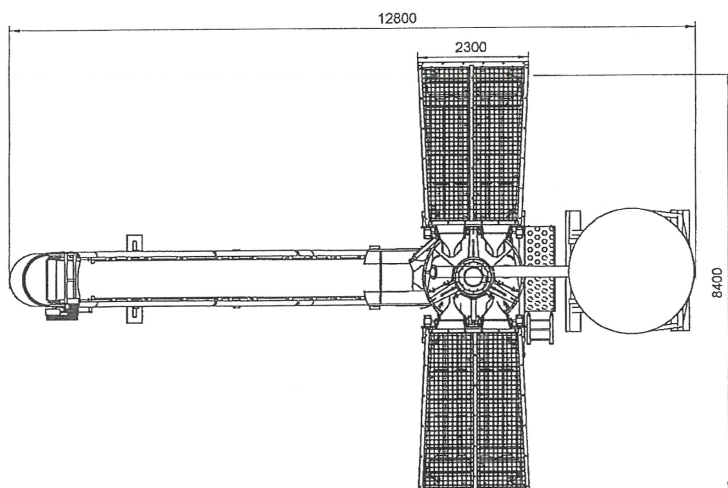
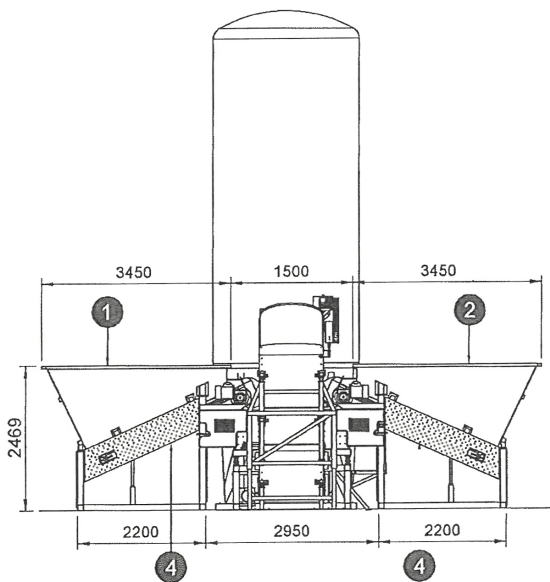
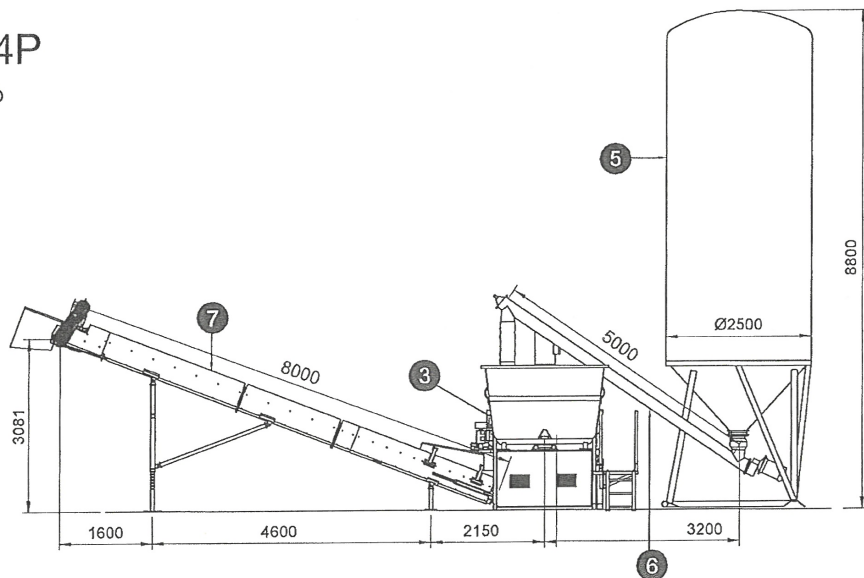


MA 15-4P
MA 15-4P



BESCHREIBUNG / DESCRIPTION

- ① Kiesvorrat
Aggregate Silo
- ② Sandvorratssilo
Sand Silo
- ③ Planetenmischer
Planetary Mixer
- ④ Dosierförderband
Charging Belt Conveyor for Silo
- ⑤ Zementsilo
Cement Storage Silo
- ⑥ Zementschnecke
Cement Screw Conveyor
- ⑦ Austragsband
Discharge Conveyor 8 m